



⤴ **FEEDING SYSTEMS** ○

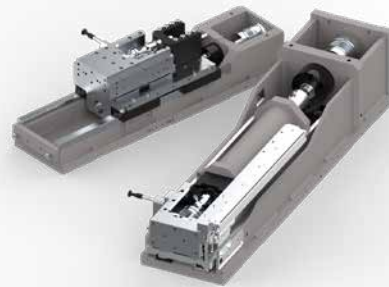
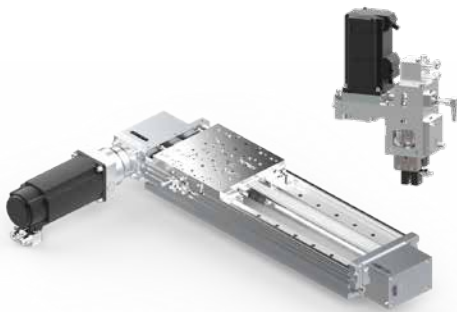


○ **AUTOMATION SYSTEMS** ⤴



○ **HANDLING SYSTEMS** ⤵

○ **PROCESS SYSTEMS** ⤵



MTS – MECHATRONIC SYSTEMS

PRODUCT PORTFOLIO

FEEDING SYSTEMS

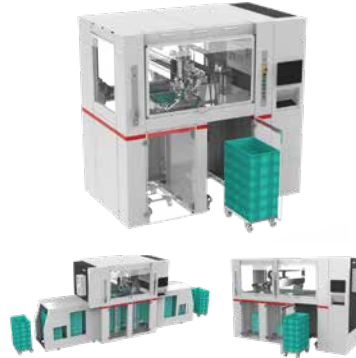
FEEDING LF-303 CI



With STIWA Feeding Solutions modern assembly units with low cycle times are being addressed.

- » Precise scaling of your production
- » Highest flexibility
- » Low cycle times
- » Manifold accessories

PALLETIZING



STIWA-Palletizings guarantee highest efficiency when it comes to feeding and packing diverse parts

- » Powerful pallet transport
- » Low cycle times
- » Optionally integrable handling

STEPFEEDING



STIWA Feeding Solutions are made for modern assembly units with low cycle times.

- » Almost abrasion free step movement
- » Preliminary orientation & separation
- » Disentangling function

PWC-BUFFER BELT



STIWA-Buffer Belts combine the full functional range from:

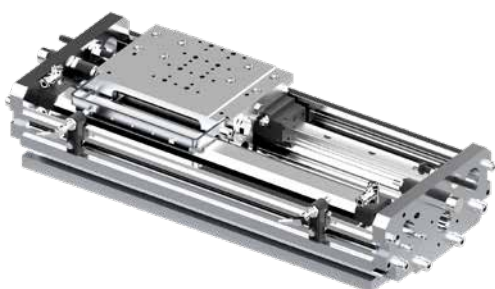
- » Compensations of cycle time fluctuations/ variations
- » Horizontal and vertical load capacity
- » Allows combination of different systems

HANDLING COMPONENTS

AXELS

STIWA Linear guiding systems are setting own standards regarding quality, precision and durability. They are available as single- or dual-axels pneumatically or electrically driven.

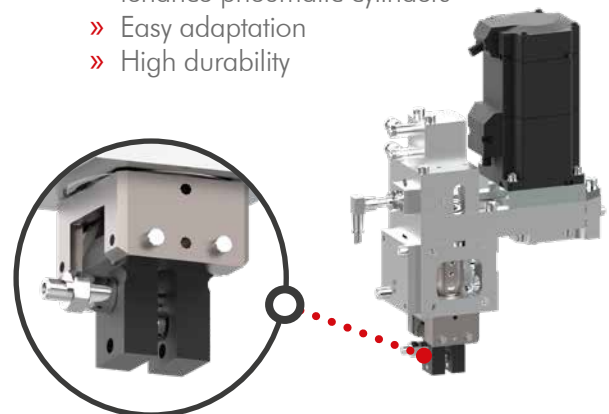
- » Designed for high-performance automation
- » Low maintenance
- » Service friendly
- » Calibrated connection interfaces



GRIPPERS

The pneumatic STIWA-Grippers possess high gripping forces and changeable gripper jaws with adjustable opening angles. Electromechanical STIWA rotary gripper units are driven by high-dynamic servo motors.

- » Equipped with low maintenance pneumatic cylinders
- » Easy adaptation
- » High durability



AUTOMATION SYSTEMS

TRANSFER SYSTEMS



STIWA Transfer Systems offer you exceptional performance in terms of speed and positioning accuracy. Thanks to a rigidly or loosely linked transportation system, they are designed for high-performance and have an impressively short workpiece carrier change over time.



- » Proven technology
- » High process quality
- » Maximal durability
- » High speed
- » Transport of big parts possible
- » Universal use
- » Fast workpiece carrier change over

COMPACT AUTOMATION LTM-CI



Compact automation systems represent the latest and complete assembly systems with cycle times in the sub-second range for small parts series from up to 15 mm in diameter.

- » Minimal Space requirements
- » Low cycle times
- » Technology integration

SYSTEM PROTECTION 2.0



In the System Protection 2.0 STIWA combines 40 years of experience in machine and system manufacturing with comprehensive know-how from our own production.

- » Functional and save
- » Modular System
- » Self-supporting
- » Optimal ergonomic use

PROCESS SYSTEMS

SCREWDRIVER



With STIWA-Screwdrivers modern assembly units with low cycle times are being addressed. Documented and safety-relevant processes, representing the standard in the automotive industry, are among the main applications here.

- » Safe processes
- » Multiple analysis methods
- » High precision
- » Traceability

ELECTRIC SCREW PRESSES

STIWA-Screw Presses are driven by high-dynamic servo motors. They guarantee rapid feeding motions at high traversing speeds.

- » Efficient use of energy
- » Good and precise controllability
- » Controllable worldwide - can be serviced remotely
- » Rapid adjustment, thanks to an open design



INTEGRATED/PROVIDED SERVICES

≡ COMPLETELY INTEGRATED I.....

With high-performance control cycles of our products, we enable you to control your processes almost in real time. Included basic software guarantees networked processes.

There is also the option of an ERP connection for operation and product data collection, which opens up further analysis options and records important parameters from your production processes.

- » Workpiece carrier data are being recorded within the system at any time
- » Comprehensive analysis of the machine data and every process for an optimized production

≡ SPECIAL SOLUTIONS I.....

From engineering to a stable production: STIWA Mechatronic Systems understands itself as a comprehensive/an overall partner in industrialization to strengthen the market position and competitiveness of its customers even outside of machine projects.

- » We deliver optimized system integration, components and accessories - the optimal/ideal addition for your plant construction

» For your specific requirements we offer you individual trainings and workshops

STIWA MECHATRONIC SYSTEMS – YOUR PLUG & WORK PARTNER FOR OPTIMIZED PRODUCTION

As a leading manufacturer of automation technology, we have been providing products, projects and services for many years, thereby providing optimized technology integrations with the best possible overall effect. Through the targeted interaction of mechanics, software and electronics, we achieve production solutions that

guarantee the greatest possible flexibility, standardization, and safety. Our approach is all about “cooperative growth”, meaning we are there every step of the way along our client’s value added chain. No matter whether you need supply, handling, process, or automation systems, STIWA is your partner for mechatronic special solutions!



Your contact person

STIWA Automation GmbH
Mechatronic Systems
Markus Hauer
Salzburger Straße 52
4800 Attnang-Puchheim, Austria

Tel.: +43 7674 603 - 6012
Fax: +43 7674 603 - 214
Cell: +43 664 80 80 3712
markus.hauer@stiwa.com
www.stiwa.com