

**HANDLING COMPONENTS**

**AXLES & GRIPPERS**

**Robust – Durable – Precise**

# AXLES & GRIPPERS

## STIWA MECHATRONIC SYSTEMS - YOUR PLUG & WORK PARTNER FOR OPTIMIZED PRODUCTION

As a leading manufacturer of automation technology, we have been providing products, projects and services for many years, thereby enabling optimized technology integrations with the best possible overall effect. Through the targeted interaction of mechanics, software and electronics, we achieve production solutions that guarantee the

greatest possible flexibility, standardization, and safety. Our approach is all about “cooperative growth”, meaning we are there every step of the way along our client’s value added chain. No matter whether you need supply, handling, process, or automation systems, STIWA is your partner for mechatronic special solutions!

## HANDLING SYSTEMS

In industrial assembly, handling components are among the classic products of modern production and automation systems. Our axles and grippers are specifically tailored to the requirements of high-performance automation. When it comes to

handling components, STIWA sets its own standards in the areas of quality, precision, and durability. Axles and grippers are functional components with corresponding assembly interfaces.

## COMPONENTS: AXLES

Precise linear guiding systems with a long service life can be executed either as single- or dual-axle. Due to their design, our high-quality axles can withstand very high tilting moments. They also guarantee an exceptionally low-maintenance operation.

### 1. Pneumatic STIWA axles

- » End position control system and shock absorber are separate from one another allowing for shock absorbers to be changed with ease.

### 2. Electromechanical STIWA axles

- » These are driven directly by high-dynamic servo motors. They are equipped with play-free pre-loaded ball screws or toothed belts for precise feed motions and high processing speeds.
- » Electrical STIWA axles always have an absolute reference (pinning position with dowel pin) on the axle.



**AMP-4**



**AMP-10**



**ADR-10**

## COMPONENTS: GRIPPERS

Pneumatic STIWA grippers possess high gripping forces and changeable gripper jaws with adjustable opening angles. The grippers are equipped with low-maintenance pneumatic cylinders. Electromechanical STIWA rotary gripper units are driven by high-dynamic servo motors.

- » Clamping grippers
- » Parallel grippers
- » Tilt and swivel unit
- » Tilt and grip unit

## INTELLIGENT MEANS OF PRODUCTION

With high-performance control cycles of our products, we enable you to control your processes almost in real time. Included basic software guarantees networked processes. Easy integration ensures quick implementation and optimized control. There is also the option of an ERP connection for operation and product data collection, which opens up further analysis options and records important parameters from your production processes.

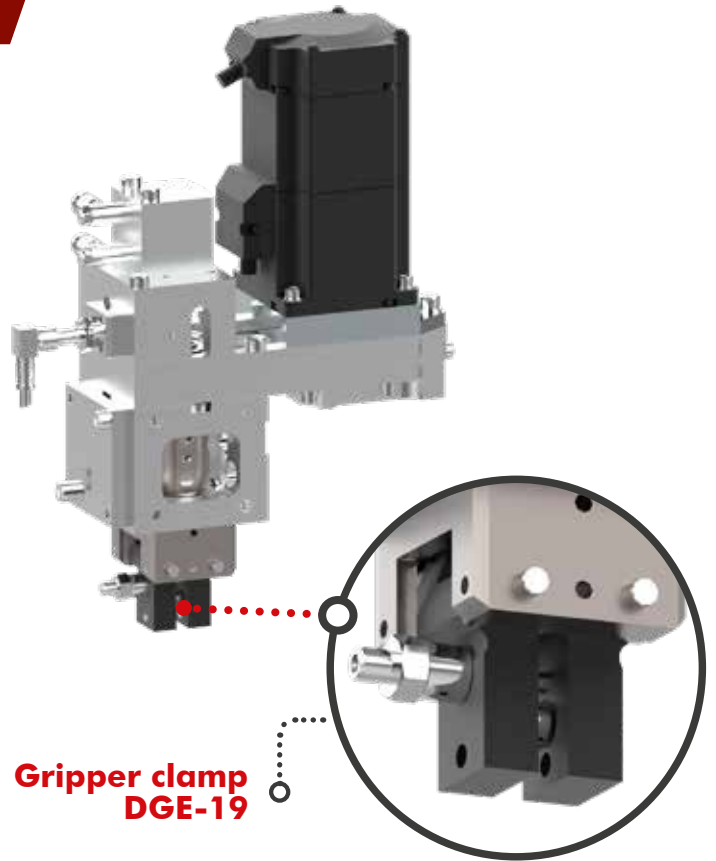
## BENEFITS

The connectivity of the components reduces the burden of implementation, even across different sites. This ensures professional process management of your production processes while also providing a cost advantage.

- » Efficient energy use combined with outstanding processing quality
- » Good and precise controllability
- » Wide range of applications
- » Controllable from around the world – can be serviced remotely

## CHARACTERISTICS

- » Service-friendly design thanks to easy access to wear components (shock absorbers, belts...)
- » Separation of functions – motor, end position, activation, inquiries
- » The components are designed for high-performance automation in a three-shift operating system with cycle times starting from 0.5 seconds.



**Gripper clamp  
DGE-19**

## OBJECTIVES AND IMPACT

### Quality

- » Highest-quality components for continuous operation and long operating life.

### Connectivity

- » Synchronized connection interfaces
- » Communication and interface components are available for integration into your management environment.

### Easy to maintain

- » Good accessibility

## OPTIONAL ACCESSORIES

### Axles

- » Clamping system for additional safety in vertical installation
- » Retrieval systems
- » Energy supply systems
- » Installation and support materials
- » Servo-electric motors
- » PLC functional components

### Grippers

- » Gripper jaws
- » Installation and support materials
- » Poka-yoke index tool for changeable grippers
- » Retrieval systems



## COMPLETELY INTEGRATED:

- » Flexible plug & work solutions tailored to your needs
- » Control of the IIoT (Industrial Internet of Things): Optimized technology and system integration thanks to many years of experience in the production and networking of automation systems
- » Safe processes with the best possible overall effect and lowest total costs
- » Adaptive, subsequent production: Based on the pre-production processes and according to the situational requirements
- » Comprehensive standardization – high scalability



» Please contact us for further information regarding the technical details relating to your individual requirements.



### Your contact person

STIWA Automation GmbH  
Mechatronic Systems  
Markus Hauer  
Salzburger Straße 52  
4800 Attnang-Puchheim, Austria

Tel.: +43 7674 603 - 6012  
Fax: +43 7674 603 - 214  
Cell: +43 664 80 80 3712  
markus.hauer@stiwa.com  
www.stiwa.com