

PROCESSING SYSTEMS

ELECTRIC SCREW PRESSES

Robust – Durable – Precise

ELECTRIC SCREW PRESSES

STIWA MECHATRONIC SYSTEMS – YOUR PLUG & WORK PARTNER FOR OPTIMIZED PRODUCTION

As a leading manufacturer of automation technology, we have been providing products, projects and services for many years, thereby enabling optimized technology integrations with the best possible overall effect. Through the targeted interaction of mechanics, software and electronics, we achieve production solutions that guarantee the

greatest possible flexibility, standardization, and safety. Our approach is all about “cooperative growth”, meaning we are there every step of the way along our client’s value added chain. No matter whether you need supply, handling, process, or automation systems, STIWA is your partner for mechatronic special solutions!

PROCESSING SYSTEMS PRESSES

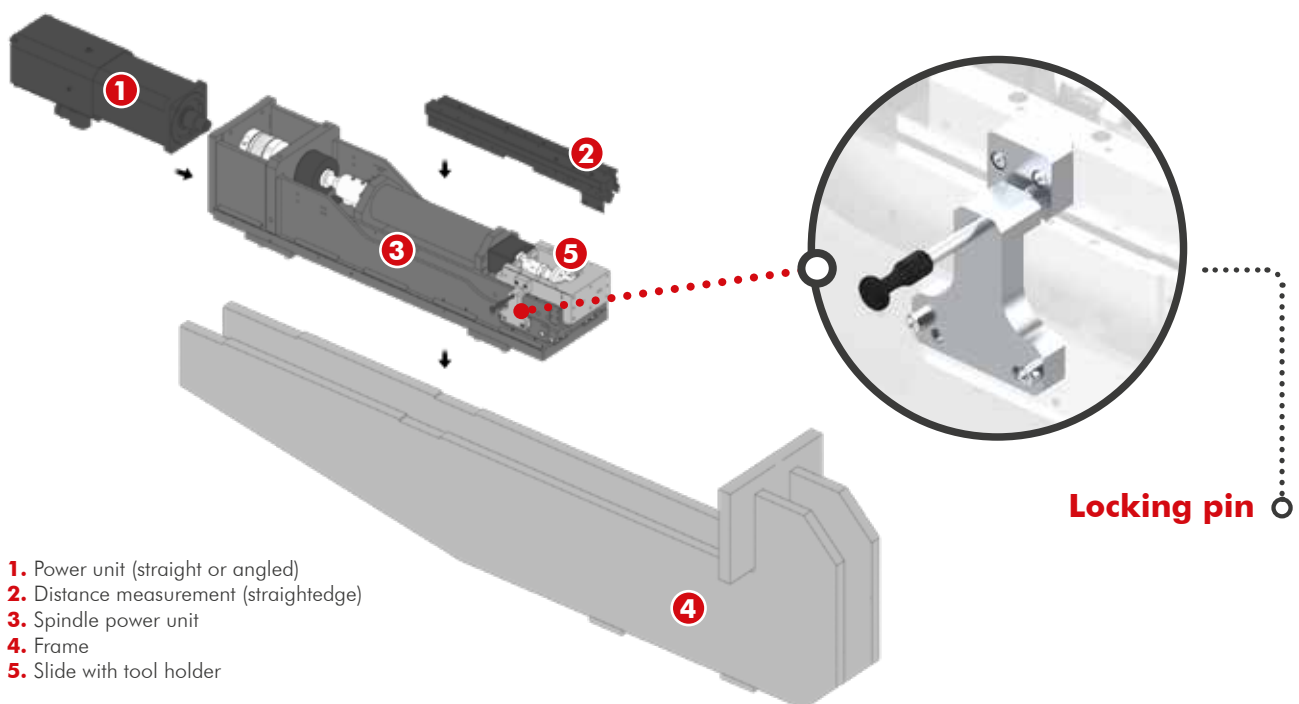
In industrial manufacturing, electric screw presses are among the classic technological components of modern production and automation systems.

STIWA press solutions are used for many applications of modern assembly units with low cycle times.

MECHANICAL STRUCTURE

STIWA screw presses are driven by highly dynamic servo motors. They guarantee rapid feeding motions at high travelling speeds. Backlash-free preloaded ball screws guarantee maximum precision.

The tool slide and calibratable force and distance measuring systems are built on qualitative linear guidance systems. An absolute encoder system ensures the exact position of the tool.



INTELLIGENT MEANS OF PRODUCTION

With high-performance control cycles of our products, we enable you to control your processes almost in real time. Included basic software guarantees networked processes. Easy integration ensures quick implementation and optimized control. There is also the option of an ERP connection for operation and product data collection, which opens up further analysis options and records important parameters from your production processes.

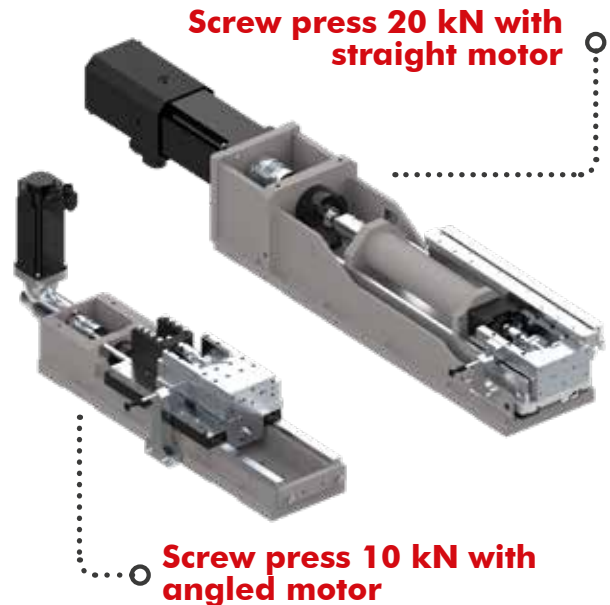
BENEFITS

The connectivity of the different components reduces the burden of implementation, even across different locations. This ensures professional management of your production processes while also providing a cost advantage.

- » Efficient energy use combined with outstanding processing quality
- » Good and precise controllability
- » Controllable from around the world – can be serviced remotely
- » Wide range of applications
- » Rapid adjustment thanks to open design

CHARACTERISTICS

- » Designed for any type of process
 - Distance
 - Force
 - Differential force
 - Area
- » Overload protection system
- » Low-noise
- » Safe for use in vertical operation and alongside people
- » Continuously monitored crash element
- » Force sensor located close to the tool for precise measurement data logging (float-mounted)



OBJECTIVES AND IMPACT

Quality

- » Calibratability of the pressing force and position sensors ensure the highest possible reproducible quality.

Precision

- » Float-mounted force sensor records actual pressing forces.

Connectivity

- » Communication and interface packages are available for integration into your control environment.

Analysis

- » Operating conditions of the processing machine and production data are intelligently interlinked, thereby optimizing production.



» We offer individual training courses and workshops for your specific requirements.

OPTIONAL ACCESSORIES

- » Clamping system for additional safety in vertical installation
- » Stroke measuring system
- » Calibration system (hardware and software for periodic self-calibration)

TECHNICAL DATA

Electric Screw Press	C8149		C8150		C8151	
Pressing force	10 kN		20 kN		50 kN	
Feed stroke lengths from / to	0 – 210 mm	0 – 399 mm	0 – 200 mm	0 – 394 mm	0 – 229 mm	0 – 429 mm
Weight	82 kg	99 kg	122 kg	151 kg	242 kg	288 kg
Height	208.4 mm	208.4 mm	225.7 mm	225.7 mm	277.5 mm	277.5 mm
Width	801.0 mm	990.0 mm	853.9 mm	1,047.9 mm	1,043.0 mm	1,243.0 mm
Depth	197.0 mm	197.0 mm	245.0 mm	245.0 mm	322.0 mm	322.0 mm
Switch cabinet (H/W/D)	630/500/380 mm					
Interfaces	EtherCAT and Ethernet as well as other fieldbus systems on request					

COMPLETELY INTEGRATED:

- » Flexible plug & work solutions tailored to your needs
- » Control of the IIoT (Industrial Internet of Things): Optimized technology and system integration thanks to many years of experience in the production and networking of automation systems
- » Safe processes with the best possible overall effect and lowest total costs
- » Adaptive, subsequent production: Based on the pre-production processes and according to the situational requirements
- » Comprehensive standardization – high scalability



Your contact person

STIWA Automation GmbH
 Mechatronic Systems
 Markus Hauer
 Salzburger Straße 52
 4800 Attnang-Puchheim, Austria

Tel.: +43 7674 603 - 6012
 Fax: +43 7674 603 - 214
 Cell: +43 664 80 80 3712
 markus.hauer@stiwa.com
 www.stiwa.com